

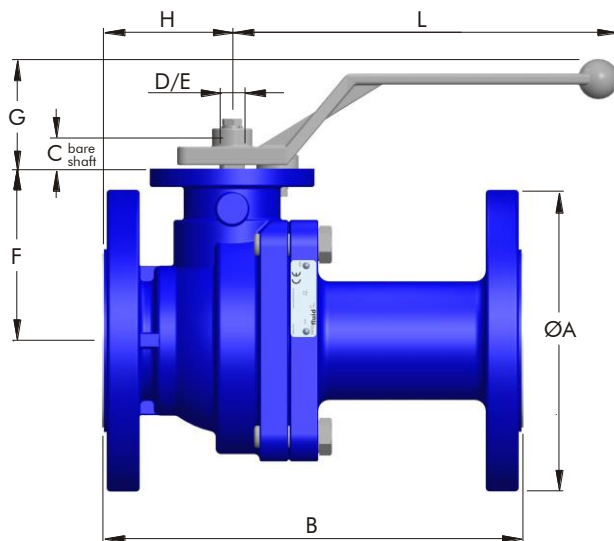
300# Ball Valves

Operating Conditions

- Temperature range from -40°C (-40°F) up to $+200^{\circ}\text{C}$ ($+392^{\circ}\text{F}$), depending on lining material
- Vacuum-/Pressure range from 1 mbar (0.01 psia) up to 50 bar (725 psi)

Manual Valve

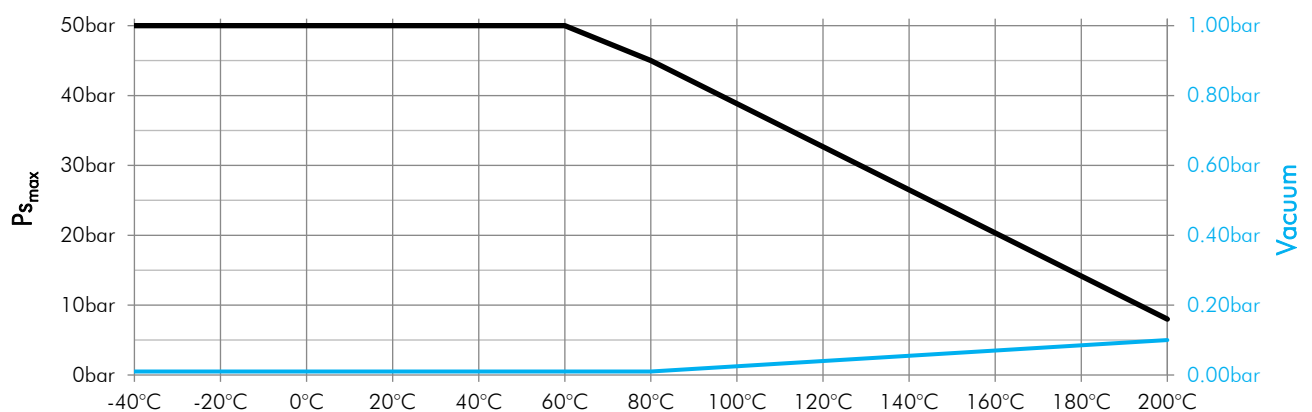
Standard version with handlever



Dimensions in mm

Size nom.	ØA	B	C	D Dia.	E DD	F	G	H	L	ISO Top	Weights	
											Kg Valve	kg Lever only
1"	125	165	19	14	11	70	58	92	161	F05	6.6	0.32
1½"	155	190	19	14	11	87	58	105	211	F07	10.5	0.36
2"	165	216	19	14	11	94	58	121	211	F07	13.6	0.36
3"	210	282	23	18	14	115	62	152	319	F07	26.8	0.41

Pressure-/Temperature Diagram



Low temperature or austenitic steels are required for use below -10°C operating temperature.